

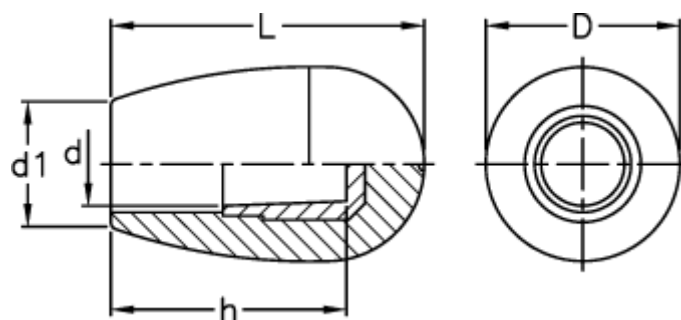
# Data Sheet



Article number: 2304021411  
Description: E+G Handle  
I.222/90 N-16

## Measures

---



d = 16  
D = 41  
d1 = 25  
h = 58  
L = 87